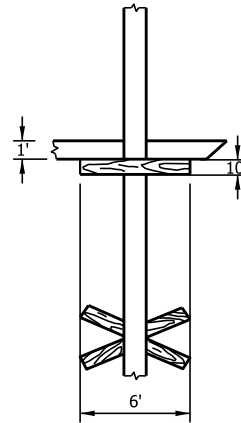


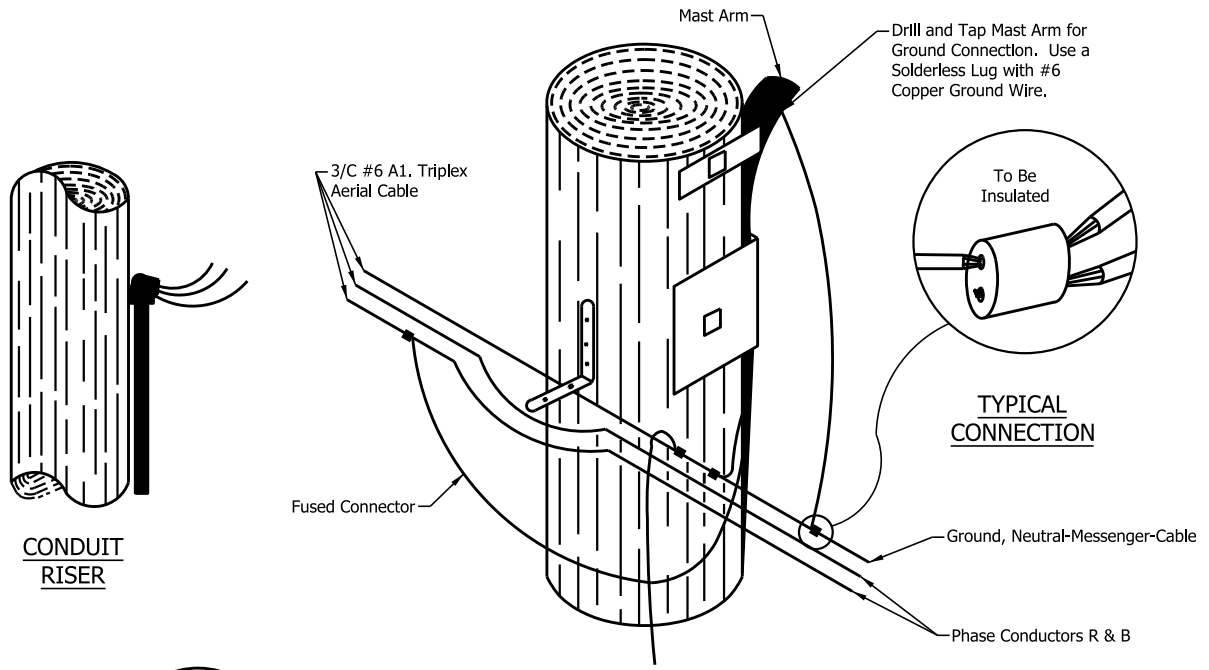
1/2" x 8" Copperweld ground rod driven to 6" below normal ground surface. Make connection to ground wire with suitable clamp. To be installed at each end of lighting distribution.

**NOTES:**

1. Install 2" x 10" x 6' treated plank 1' below ground surface with inner face directly against pole outer face to be placed against undisturbed earth as near as practical.
2. Pole key anchor and plank stabilizer to be installed at each major change of overhead line direction and at each end of lighting distribution.
- ③ See Section on Standard Drawing E 807-THID-02.
4. Luminaire shall be either a 400 Watt HPS or an alternative light source type with an equivalent light (lumen) output.

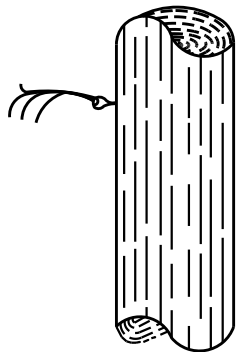


INDIANA DEPARTMENT OF TRANSPORTATION											
TEMPORARY HIGHWAY ILLUMINATION DETAILS POLE AND LUMINAIRE SEPTEMBER 2017											
STANDARD DRAWING NO. E 807-THID-01											
	<table border="0"> <tr> <td>/s/ David H. Boruff</td> <td style="text-align: right;">04/25/17</td> </tr> <tr> <td>DESIGN STANDARDS ENGINEER</td> <td style="text-align: right;">DATE</td> </tr> <tr> <td colspan="2"> </td> </tr> <tr> <td>/s/ John Leckie</td> <td style="text-align: right;">04/27/17</td> </tr> <tr> <td>CHIEF ENGINEER</td> <td style="text-align: right;">DATE</td> </tr> </table>	/s/ David H. Boruff	04/25/17	DESIGN STANDARDS ENGINEER	DATE			/s/ John Leckie	04/27/17	CHIEF ENGINEER	DATE
/s/ David H. Boruff	04/25/17										
DESIGN STANDARDS ENGINEER	DATE										
/s/ John Leckie	04/27/17										
CHIEF ENGINEER	DATE										

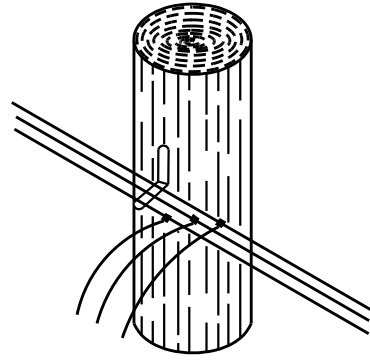


CONDUIT  
RISER

SECTION A  
TYPICAL AERIAL LUMINAIRE  
CONNECTION WITH GROUND



AERIAL CABLE  
TERMINATION



TYPICAL CIRCUIT  
CONNECTION TO  
AERIAL CABLE

INDIANA DEPARTMENT OF TRANSPORTATION	
TEMPORARY HIGHWAY ILLUMINATION DETAILS WIRING	
SEPTEMBER 2017	
STANDARD DRAWING NO. E 807-THID-02	
	<i>/s/ David H. Boruff</i> 04/25/17 DESIGN STANDARDS ENGINEER      DATE
	<i>/s/ John Leckie</i> 04/27/17 CHIEF ENGINEER      DATE